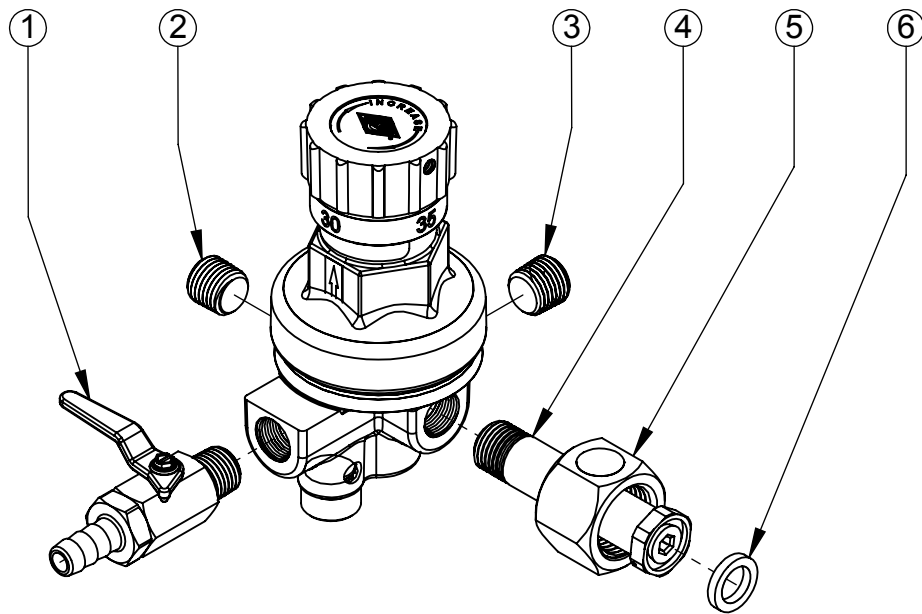




FC741/FC741H REGULATOR ASSEMBLY

PARTS BREAKDOWN



<u>ITEM</u>	<u>PART NO</u>	<u>DESCRIPTION</u>
1.	1600C	-5/16" BARB, SHUT-OFF WITH BALL CHECK
2.	740-16	-PLUG, 1/4" ALLEN SOCKET, LEFT HAND THREAD
3.	440-16	-PLUG, 1/4" ALLEN SOCKET, RIGHT HAND THREAD
4.	C740-12	-CO2 TANK NIPPLE WITH FLAT SEAL, LEFT HAND THREAD
5.	440-13UD	-CO2 TANK NUT
6.	440-17R	-FLAT SEAL FOR CO2 TANK FITTING

REV A. 10-2010