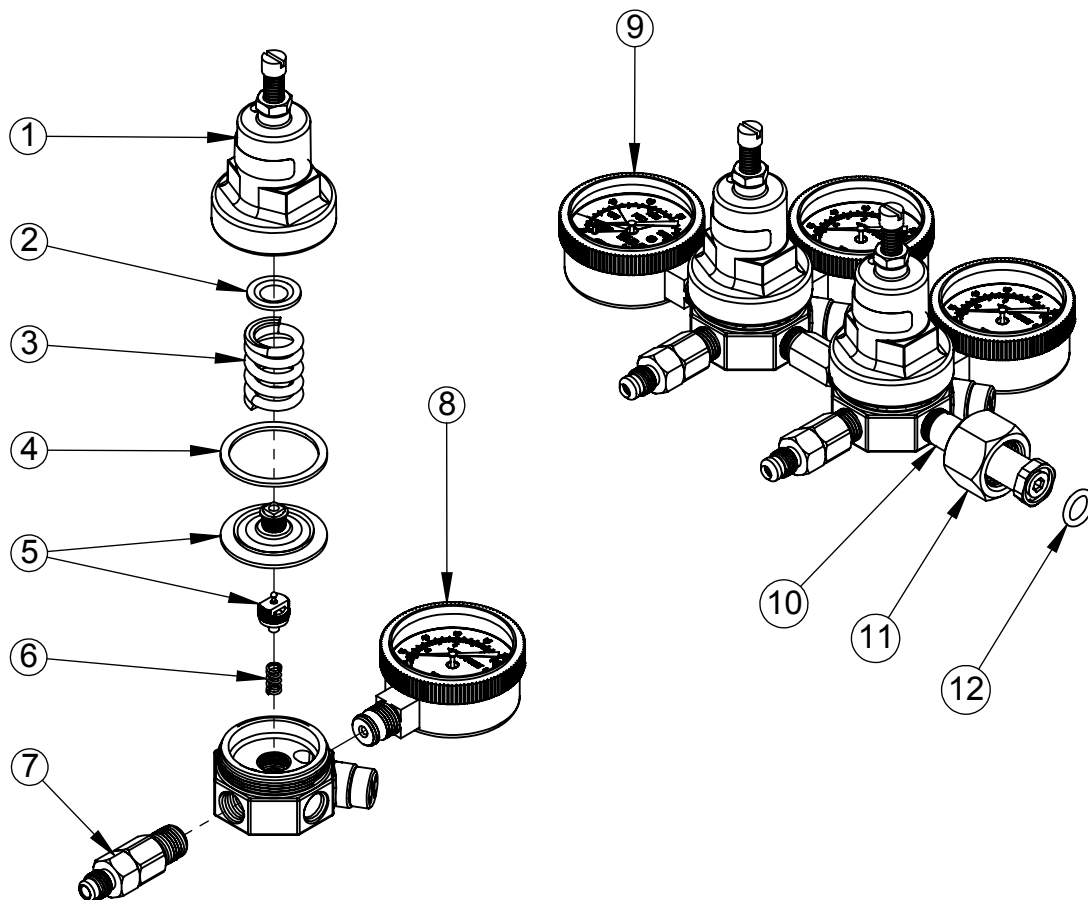


3752 REGULATOR ASSEMBLY

PARTS BREAKDOWN



<u>ITEM</u>	<u>PART NO</u>	<u>DESCRIPTION</u>
1.	3740-2PA	-SMALL ZINC BONNET, BLACK
2.	***	-SPRING RETAINER
3.	***	-HIGH PRESSURE DIAPHRAGM SPRING
4.	***	-DIAPHRAGM/BONNET GASKET
5.	3740-15	-DIAPHRAGM REPAIR KIT - 1.6" SELF CENTERING TYPE DIAPHRAGM, CAPSULE, AND O-RING (ITEM 11)
6.	***	-CAPSULE SPRING
7.	5436A	-1/4" SAE FLARE FITTING WITH BALL CHECK
8.	5605	-160 PSI GAUGE
9.	6603-2000	-2000 PSI TANK GAUGE, LEFT HAND THREAD
10.	740-12	-CO2 TANK NIPPLE, WITH O-RING, LEFT HAND THREAD
11.	440-13UD	-CO2 TANK NUT
12.	2406-11	-O-RING FOR TANK FITTING

*** NOT NORMALLY REPLACED WHEN REPAIRING REGULATOR