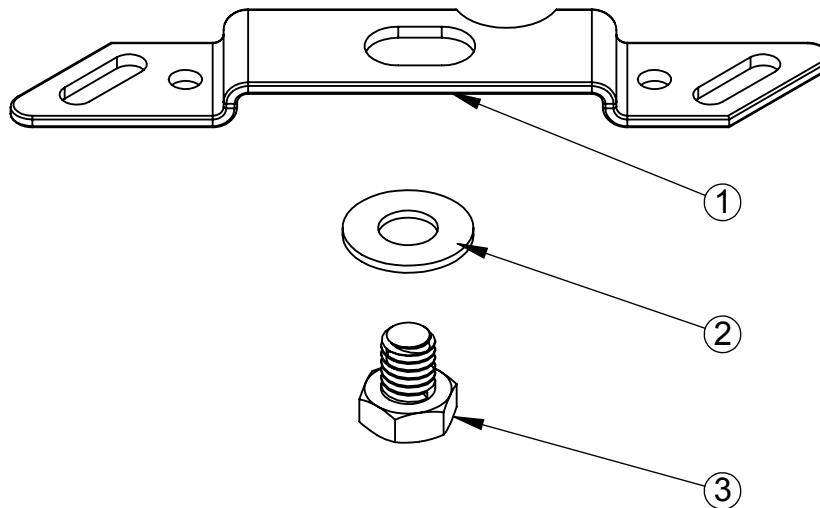


# METAL BRACKET KIT

## PARTS BREAKDOWN



<u>ITEM</u>	<u>PART NO</u>	<u>DESCRIPTION</u>
1.	1690-2N-1	REG, MOUNTING BRACKET, S/S
2.	06-2077-00	WASHER, FLAT
3.	1690-3S	BOLT, 5/16-18 X 3/8 HEX