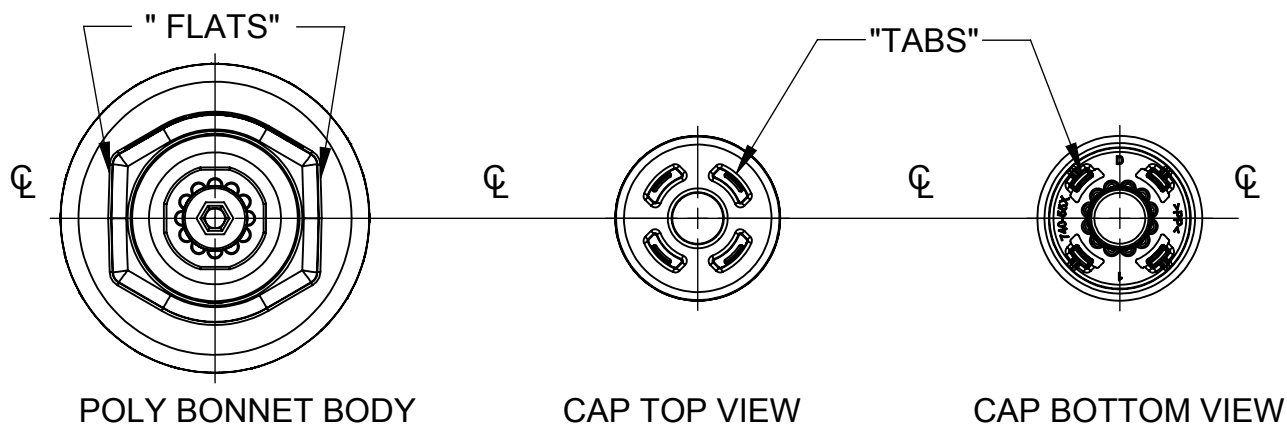


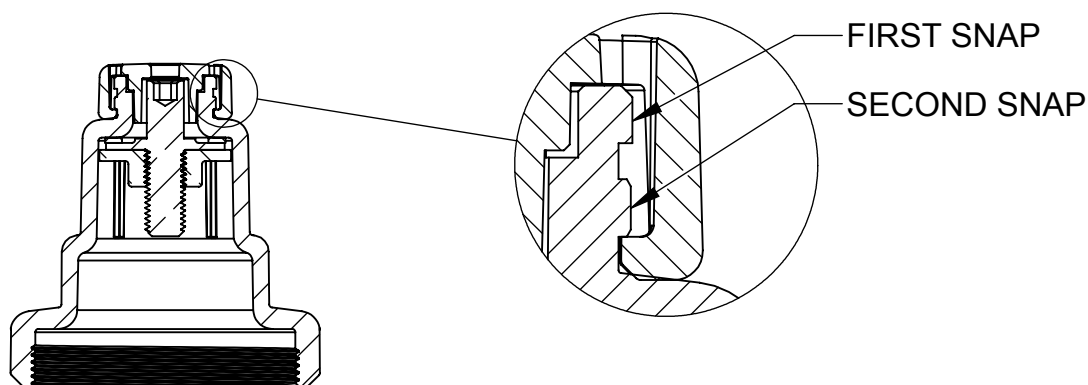
740-301A POLY BONNET ASSEMBLY WITH NON-ADJUSTABLE CAP

ASSEMBLY INSTRUCTIONS

1. ALIGN "TAB" FEATURES OF CAP AT A 45° ANGLE TO "FLATS" OF BONNET BODY AS SHOWN



2. PLACE BONNET CAP OVER BONNET BODY AND PRESS ON OVER BOTH SNAPS. CAP SHOULD NOT BE EASILY REMOVED FROM BONNET AFTER ASSEMBLY



NOTE:

TO ENSURE PROPER ASSEMBLY, IT IS RECOMMENDED TO USE AN ARBOR PRESS FOR STEP 2