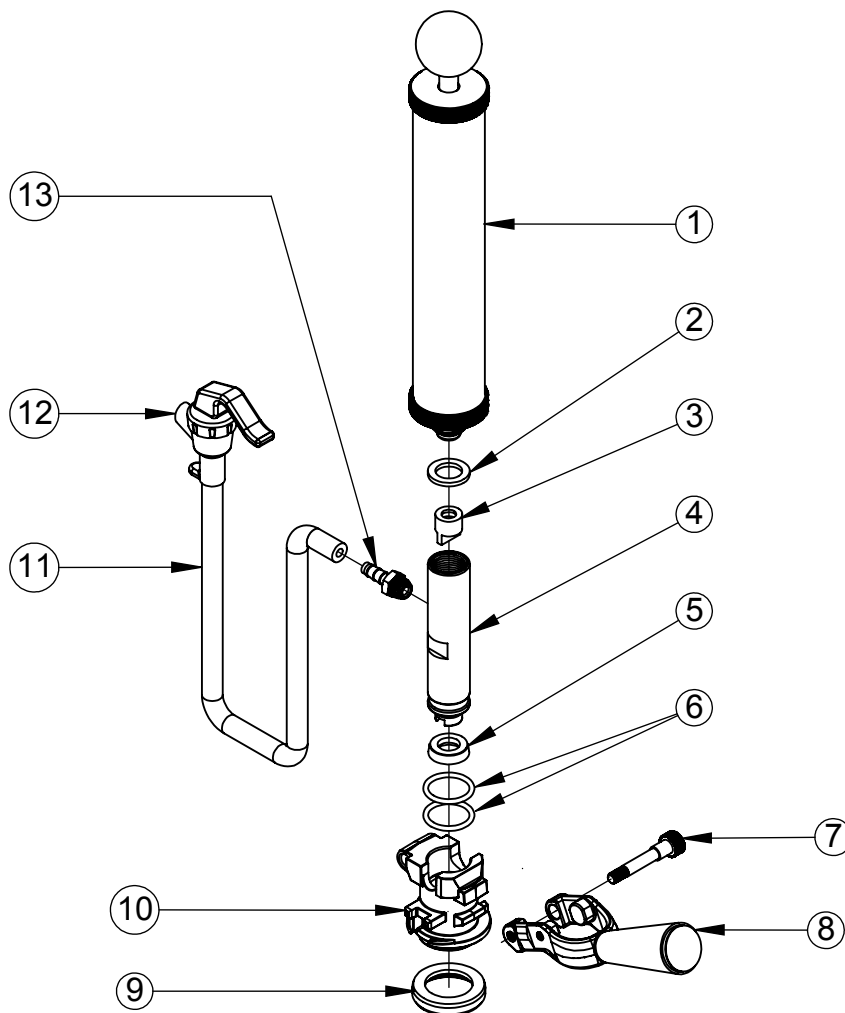


FT50PF, 8" PICNIC PUMP

PARTS BREAKDOWN



<u>ITEM</u>	<u>PART NO</u>	<u>DESCRIPTION</u>
1.	580	-PUMP ASSEMBLY, 8"
2.	753	-NIPPLE WASHER
3.	752	-THOMAS VENT
4.	FT50-9	-PICNIC PROBE
5.	FT40-15	-PROBE WASHER
6.	70228	-COUPLER BODY O-RINGS
7.	FT45-2N	-HANDLE HINGE PIN
8.	FT45-8BK	-HANDLE ASSEMBLY, BLACK
9.	24253	-BOTTOM SEAL
10.	FT50-1	-COUPLER BODY
11.	70503	-HOSE AND FAUCET ASSEMBLY
12.	70502	-FAUCET ONLY
13.	1778-2P	-NIPPLE, 1/4" BARB
14.	580N	-PUMP ASSEMBLY WITH WASHER AND VENT (ITEMS 1, 2, & 3)